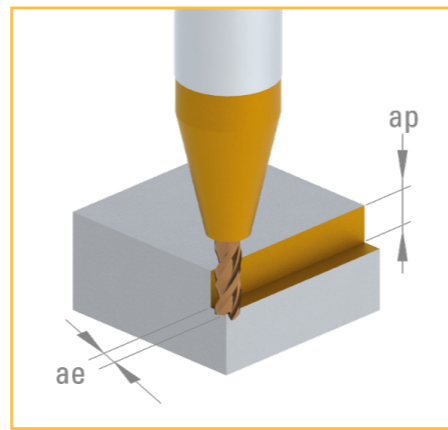


SCHNITTBEDINGUNGEN - UMFANGSBEARBEITUNG SCHLICHTEN



$$n \text{ [tr/min]} = \frac{Vc \text{ [m/min]} \times 1000}{\pi \times D_1 \text{ [mm]}}$$

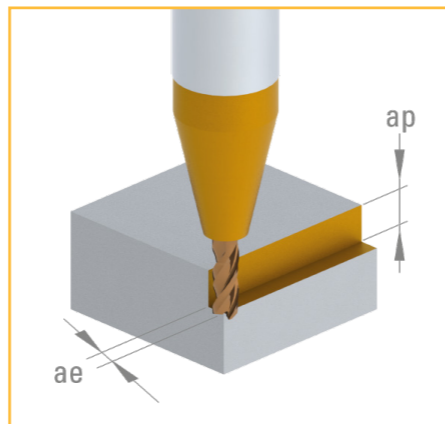
$$Vf \text{ [mm/min]} = n \text{ [tr/min]} \times fz \text{ [mm]} \times Z$$

Zu bearbeitender Werkstoff		Ø 0.30 - 0.80		Ø 0.80 - 1.60		Ø 1.60 - 5.00	
		VHM	C-TOP	VHM	C-TOP	VHM	C-TOP
		Vc [m/min]	Vc [m/min]	Vc [m/min]	Vc [m/min]	Vc [m/min]	Vc [m/min]
P	Niedrig leg. / unleg. Stahl	< 600 N/mm ²	35 - 120	110 - 200	200 - 260		
P	Niedrig leg. / unleg. Stahl	600 – 1500 N/mm ²	25 - 100	80 - 170	160 - 200		
P	Bleilegiertes Automatenstahl		40 - 130	120 - 200	220 - 280		
P	Hochlegierter Stahl	700 – 1500 N/mm ²	20 - 80	70 - 120	100 - 190		
M	Rostfreier Stahl	400 – 700 N/mm ²	30 - 85	85 - 190	190 - 260		
M	DUPLEX rostfreier Stahl	> 800 N/mm ²	25 - 65	65 - 145	155 - 220		
K	Grauguss / Sphäroguss perlitisch	< 250 HB	35 - 45	35 - 95	55 - 135	120 - 200	80 - 165
K	Leg. Grauguss / Sphäroguss perlitisch	> 250 HB	30 - 40	35 - 80	50 - 110	90 - 150	70 - 140
K	Sphäroguss ferritisch / Temperguss		25 - 35	35 - 75	45 - 100	85 - 125	65 - 120
S	Sonderlegierungen / Warmfester rostfreier Stahl	Inconel Nimonic Hastelloy	20 - 35		60 - 100		90 - 130
S	Titan, Titanlegierung		20 - 40	35 - 45	40 - 90	80 - 150	60 - 130
N	Kupfer-Legierung / gut zerspanbar (Messing – Bronze)		40 - 60	45 - 120	60 - 110	120 - 200	90 - 165
N	Kupfer-Legierung / schwer zerspanbar / Aluminium-Bronze	(CuAlFe)	30 - 50	45 - 90	45 - 105	90 - 180	70 - 160
N	Gold, Silber	(Ampco)	35 - 55	45 - 90	60 - 105	90 - 180	85 - 180

Ø 0.30 - 0.50		Ø 0.50 - 0.80		Ø 0.80 - 1.60		Ø 1.60 - 3.00		Ø 3.00 - 5.00	
fz	ae ap	fz	ae ap	fz	ae ap	fz	ae ap	fz	ae ap
0.004 - 0.007	< 0.15 x Ø < 2.00 x Ø	0.005 - 0.011	< 0.20 x Ø < 2.00 x Ø	0.007 - 0.019	< 0.30 x Ø < 2.00 x Ø	0.013 - 0.040	< 0.30 x Ø < 2.00 x Ø	0.019 - 0.047	< 0.30 x Ø < 2.00 x Ø
0.004 - 0.006	< 0.15 x Ø < 2.00 x Ø	0.005 - 0.010	< 0.25 x Ø < 2.00 x Ø	0.006 - 0.017	< 0.30 x Ø < 2.00 x Ø	0.011 - 0.035	< 0.30 x Ø < 2.00 x Ø	0.016 - 0.041	< 0.30 x Ø < 2.00 x Ø
0.005 - 0.008	< 0.15 x Ø < 2.00 x Ø	0.006 - 0.014	< 0.20 x Ø < 2.00 x Ø	0.008 - 0.023	< 0.30 x Ø < 2.00 x Ø	0.015 - 0.048	< 0.30 x Ø < 2.00 x Ø	0.022 - 0.056	< 0.30 x Ø < 2.00 x Ø
0.004 - 0.005	< 0.15 x Ø < 2.00 x Ø	0.004 - 0.009	< 0.20 x Ø < 2.00 x Ø	0.006 - 0.015	< 0.30 x Ø < 2.00 x Ø	0.010 - 0.032	< 0.30 x Ø < 2.00 x Ø	0.015 - 0.037	< 0.30 x Ø < 2.00 x Ø
0.004 - 0.005	< 0.15 x Ø < 2.00 x Ø	0.004 - 0.009	< 0.20 x Ø < 2.00 x Ø	0.006 - 0.015	< 0.25 x Ø < 2.00 x Ø	0.010 - 0.032	< 0.30 x Ø < 2.00 x Ø	0.015 - 0.037	< 0.30 x Ø < 2.00 x Ø
0.002 - 0.004	< 0.10 x Ø < 2.00 x Ø	0.003 - 0.007	< 0.15 x Ø < 2.00 x Ø	0.005 - 0.011	< 0.30 x Ø < 2.00 x Ø	0.008 - 0.024	< 0.25 x Ø < 2.00 x Ø	0.011 - 0.028	< 0.30 x Ø < 2.00 x Ø
0.005 - 0.008	< 0.15 x Ø < 2.00 x Ø	0.006 - 0.014	< 0.25 x Ø < 2.00 x Ø	0.009 - 0.023	< 0.30 x Ø < 2.00 x Ø	0.015 - 0.048	< 0.30 x Ø < 2.00 x Ø	0.022 - 0.056	< 0.30 x Ø < 2.00 x Ø
0.004 - 0.006	< 0.15 x Ø < 2.00 x Ø	0.005 - 0.010	< 0.20 x Ø < 2.00 x Ø	0.008 - 0.017	< 0.30 x Ø < 2.00 x Ø	0.011 - 0.035	< 0.30 x Ø < 2.00 x Ø	0.016 - 0.041	< 0.30 x Ø < 2.00 x Ø
0.004 - 0.006	< 0.15 x Ø < 2.00 x Ø	0.005 - 0.010	< 0.20 x Ø < 2.00 x Ø	0.008 - 0.017	< 0.30 x Ø < 2.00 x Ø	0.011 - 0.035	< 0.30 x Ø < 2.00 x Ø	0.016 - 0.041	< 0.30 x Ø < 2.00 x Ø
0.002 - 0.003	< 0.10 x Ø < 2.00 x Ø	0.002 - 0.005	< 0.10 x Ø < 2.00 x Ø	0.003 - 0.008	< 0.20 x Ø < 2.00 x Ø	0.005 - 0.016	< 0.20 x Ø < 2.00 x Ø	0.007 - 0.019	< 0.25 x Ø < 2.00 x Ø
0.005 - 0.007	< 0.15 x Ø < 2.00 x Ø	0.006 - 0.011	< 0.15 x Ø < 2.00 x Ø	0.008 - 0.019	< 0.30 x Ø < 2.00 x Ø	0.013 - 0.040	< 0.30 x Ø < 2.00 x Ø	0.019 - 0.047	< 0.30 x Ø < 2.00 x Ø
0.007 - 0.011	< 0.15 x Ø < 2.00 x Ø	0.009 - 0.018	< 0.25 x Ø < 2.00 x Ø	0.012 - 0.030	< 0.30 x Ø < 2.00 x Ø	0.020 - 0.064	< 0.30 x Ø < 2.00 x Ø	0.030 - 0.075	< 0.30 x Ø < 2.00 x Ø
0.005 - 0.007	< 0.20 x Ø < 2.00 x Ø	0.006 - 0.011	< 0.30 x Ø < 2.00 x Ø	0.008 - 0.019	< 0.30 x Ø < 2.00 x Ø	0.013 - 0.040	< 0.30 x Ø < 2.00 x Ø	0.019 - 0.047	< 0.30 x Ø < 2.00 x Ø
0.005 - 0.007	< 0.20 x Ø < 2.00 x Ø	0.006 - 0.012	< 0.30 x Ø < 2.00 x Ø	0.008 - 0.022	< 0.30 x Ø < 2.00 x Ø	0.013 - 0.040	< 0.30 x Ø < 2.00 x Ø	0.019 - 0.047	< 0.30 x Ø < 2.00 x Ø

SCHNITTBEDINGUNGEN - UMFANGSBEARBEITUNG SCHRUPPEN

Maximaler Spänedurchsatz Q (cm³/min)



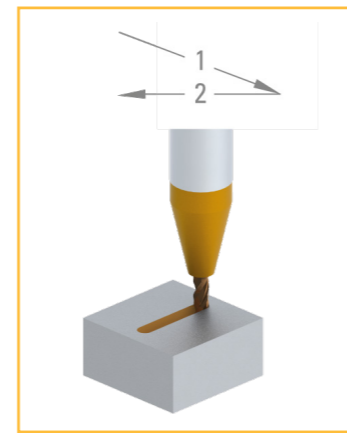
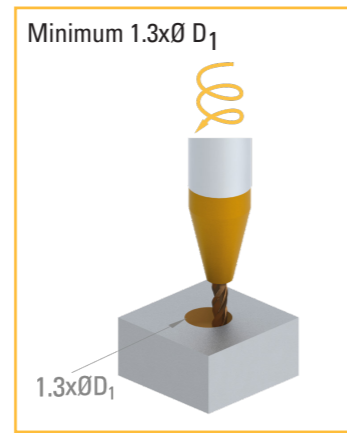
$$n \text{ [tr/min]} = \frac{Vc \text{ [m/min]} \times 1000}{\pi \times D_1 \text{ [mm]}}$$

$$Vf \text{ [mm/min]} = n \text{ [tr/min]} \times fz \text{ [mm]} \times Z$$

Zu bearbeitender Werkstoff		Ø 0.30 - 0.80		Ø 0.80 - 1.60		Ø 1.60 - 5.00		
		VHM	C-TOP	VHM	C-TOP	VHM	C-TOP	
		Vc [m/min]	Vc [m/min]	Vc [m/min]	Vc [m/min]	Vc [m/min]	Vc [m/min]	
P	Niedrig leg. / unleg. Stahl	< 600 N/mm²	25 - 45	40 - 130	120 - 280			
P	Niedrig leg. / unleg. Stahl	600 – 1500 N/mm²	25 - 45	40 - 120	90 - 230			
P	Bleilegiertes Automatenstahl		30 - 50	45 - 130	110 - 280			
P	Hochlegierter Stahl	700 – 1500 N/mm²	20 - 45	40 - 110	90 - 190			
M	Rostfreier Stahl	400 – 700 N/mm²	25 - 50	45 - 120	100 - 230			
M	DUPLEX rostfreier Stahl	> 800 N/mm²	15 - 35	30 - 90	75 - 180			
K	Grauguss / Sphäroguss perlitisch	< 250 HB	25 - 45	30 - 90	45 - 125	80 - 180	70 - 165	150 - 280
K	Leg. Grauguss / Sphäroguss perlitisch	> 250 HB	20 - 40	30 - 80	40 - 100	70 - 150	60 - 140	130 - 250
K	Sphäroguss ferritisch / Temperguss		20 - 35	30 - 70	35 - 90	60 - 125	55 - 120	110 - 220
S	Sonderlegierungen / Warmfester rostfreier Stahl	Inconel Nimonic Hastelloy	20 - 30	30 - 80	60 - 140			
S	Titan, Titanlegierung		20 - 40	30 - 45	30 - 80	40 - 130	50 - 130	120 - 170
N	Kupfer-Legierung / gut zerspanbar (Messing – Bronze)		40 - 50	45 - 120	50 - 100	120 - 200	80 - 165	150 - 300
N	Kupfer-Legierung / schwer zerspanbar / Aluminium-Bronze	(CuAlFe) (Ampco)	30 - 40	45 - 90	40 - 95	90 - 180	60 - 140	130 - 280
N	Gold, Silber		35 - 45	45 - 120	50 - 100	120 - 200	75 - 170	160 - 320

Ø 0.30 - 0.50		Ø 0.50 - 0.80		Ø 0.80 - 1.60		Ø 1.60 - 3.00		Ø 3.00 - 5.00	
fz	ae ap	fz	ae ap	fz	ae ap	fz	ae ap	fz	ae ap
0.002 - 0.004	< 0.90 x Ø < 2.00 x Ø	0.004 - 0.006	< 0.90 x Ø < 2.00 x Ø	0.006 - 0.011	< 0.90 x Ø < 2.00 x Ø	0.008 - 0.030	< 0.90 x Ø < 2.00 x Ø	0.020 - 0.040	< 0.90 x Ø < 2.00 x Ø
0.002 - 0.003	< 0.90 x Ø < 2.00 x Ø	0.003 - 0.006	< 0.90 x Ø < 2.00 x Ø	0.005 - 0.010	< 0.90 x Ø < 2.00 x Ø	0.008 - 0.028	< 0.90 x Ø < 2.00 x Ø	0.018 - 0.039	< 0.90 x Ø < 2.00 x Ø
0.003 - 0.005	< 0.90 x Ø < 2.00 x Ø	0.004 - 0.007	< 0.90 x Ø < 2.00 x Ø	0.006 - 0.012	< 0.90 x Ø < 2.00 x Ø	0.009 - 0.030	< 0.90 x Ø < 2.00 x Ø	0.020 - 0.043	< 0.90 x Ø < 2.00 x Ø
0.002 - 0.003	< 0.90 x Ø < 2.00 x Ø	0.003 - 0.005	< 0.90 x Ø < 2.00 x Ø	0.004 - 0.009	< 0.90 x Ø < 2.00 x Ø	0.007 - 0.025	< 0.90 x Ø < 2.00 x Ø	0.017 - 0.037	< 0.90 x Ø < 2.00 x Ø
0.002 - 0.003	< 0.90 x Ø < 2.00 x Ø	0.003 - 0.005	< 0.90 x Ø < 2.00 x Ø	0.004 - 0.009	< 0.90 x Ø < 2.00 x Ø	0.007 - 0.025	< 0.90 x Ø < 2.00 x Ø	0.017 - 0.037	< 0.90 x Ø < 2.00 x Ø
0.001 - 0.002	< 0.90 x Ø < 2.00 x Ø	0.003 - 0.004	< 0.90 x Ø < 2.00 x Ø	0.003 - 0.006	< 0.90 x Ø < 2.00 x Ø	0.004 - 0.018	< 0.90 x Ø < 2.00 x Ø	0.010 - 0.028	< 0.90 x Ø < 2.00 x Ø
0.003 - 0.005	< 0.90 x Ø < 2.00 x Ø	0.004 - 0.008	< 0.90 x Ø < 2.00 x Ø	0.007 - 0.013	< 0.90 x Ø < 2.00 x Ø	0.009 - 0.034	< 0.90 x Ø < 2.00 x Ø	0.022 - 0.056	< 0.90 x Ø < 2.00 x Ø
0.003 - 0.005	< 0.90 x Ø < 2.00 x Ø	0.004 - 0.007	< 0.90 x Ø < 2.00 x Ø	0.006 - 0.012	< 0.90 x Ø < 2.00 x Ø	0.008 - 0.030	< 0.90 x Ø < 2.00 x Ø	0.021 - 0.049	< 0.90 x Ø < 2.00 x Ø
0.003 - 0.005	< 0.90 x Ø < 2.00 x Ø	0.004 - 0.008	< 0.90 x Ø < 2.00 x Ø	0.006 - 0.012	< 0.90 x Ø < 2.00 x Ø	0.008 - 0.030	< 0.90 x Ø < 2.00 x Ø	0.021 - 0.049	< 0.90 x Ø < 2.00 x Ø
0.001 - 0.002	< 0.40 x Ø < 2.00 x Ø	0.001 - 0.003	< 0.40 x Ø < 2.00 x Ø	0.002 - 0.004	< 0.50 x Ø < 2.00 x Ø	0.003 - 0.011	< 0.50 x Ø < 2.00 x Ø	0.006 - 0.017	< 0.90 x Ø < 2.00 x Ø
0.004 - 0.005	< 0.90 x Ø < 2.00 x Ø	0.005 - 0.008	< 0.90 x Ø < 2.00 x Ø	0.006 - 0.015	< 0.90 x Ø < 2.00 x Ø	0.013 - 0.030	< 0.90 x Ø < 2.00 x Ø	0.019 - 0.040	< 0.90 x Ø < 2.00 x Ø
0.005 - 0.011	< 0.90 x Ø < 2.00 x Ø	0.009 - 0.018	< 0.90 x Ø < 2.00 x Ø	0.012 - 0.030	< 0.90 x Ø < 2.00 x Ø	0.020 - 0.064	< 0.90 x Ø < 2.00 x Ø	0.030 - 0.075	< 0.90 x Ø < 2.00 x Ø
0.003 - 0.007	< 0.90 x Ø < 2.00 x Ø	0.006 - 0.011	< 0.90 x Ø < 2.00 x Ø	0.008 - 0.019	< 0.90 x Ø < 2.00 x Ø	0.013 - 0.040	< 0.90 x Ø < 2.00 x Ø	0.019 - 0.047	< 0.90 x Ø < 2.00 x Ø
0.003 - 0.007	< 0.90 x Ø < 2.00 x Ø	0.006 - 0.011	< 0.90 x Ø < 2.00 x Ø	0.008 - 0.019	< 0.90 x Ø < 2.00 x Ø	0.013 - 0.040	< 0.90 x Ø < 2.00 x Ø	0.019 - 0.047	< 0.90 x Ø < 2.00 x Ø

SCHNITTBEDINGUNGEN - RAMPEN

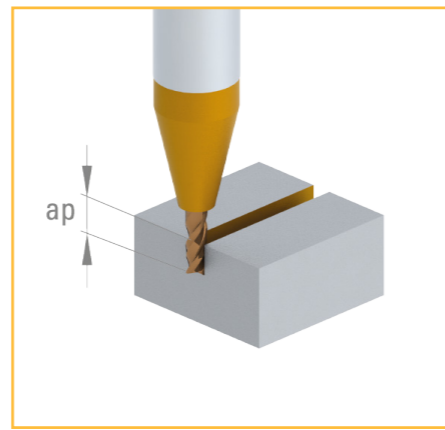


$$n \text{ [tr/min]} = \frac{Vc \text{ [m/min]} \times 1000}{\pi \times D_1 \text{ [mm]}}$$

$$Vf \text{ [mm/min]} = n \text{ [tr/min]} \times fz \text{ [mm]} \times Z$$

Zu bearbeitender Werkstoff		Ø 0.30 - 0.80		Ø 0.80 - 1.60		Ø 1.60 - 5.00	
		VHM	C-TOP	VHM	C-TOP	VHM	C-TOP
		Vc [m/min]	Vc [m/min]	Vc [m/min]	Vc [m/min]	Vc [m/min]	Vc [m/min]
P	Niedrig leg. / unleg. Stahl	< 600 N/mm ²	25 - 45	40 - 130	120 - 200		
P	Niedrig leg. / unleg. Stahl	600 – 1500 N/mm ²	25 - 45	40 - 120	90 - 160		
P	Bleilegiertes Automatenstahl		30 - 50	45 - 130	110 - 200		
P	Hochlegierter Stahl	700 – 1500 N/mm ²	20 - 45	40 - 110	90 - 135		
M	Rostfreier Stahl	400 – 700 N/mm ²	25 - 50	45 - 120	100 - 160		
M	DUPLEX rostfreier Stahl	> 800 N/mm ²	15 - 35	30 - 90	75 - 130		
K	Grauguss / Sphäroguss perlitisch	< 250 HB	25 - 45	30 - 90	45 - 125	80 - 180	70 - 165
K	Leg. Grauguss / Sphäroguss perlitisch	> 250 HB	20 - 40	30 - 80	40 - 100	70 - 150	60 - 140
K	Sphäroguss ferritisch / Temperguss		20 - 35	30 - 70	35 - 90	60 - 125	55 - 120
S	Sonderlegierungen / Warmfester rostfreier Stahl	Inconel Nimonic Hastelloy	20 - 30	30 - 80	60 - 110		
S	Titan, Titanlegierung		20 - 40	30 - 45	30 - 80	40 - 130	50 - 130
N	Kupfer-Legierung / gut zerspanbar (Messing – Bronze)		40 - 50	45 - 120	50 - 100	120 - 200	80 - 165
N	Kupfer-Legierung / schwer zerspanbar / Aluminium-Bronze (CuAlFe)		30 - 40	45 - 90	40 - 95	90 - 180	60 - 140
N	Gold, Silber		35 - 45	45 - 120	50 - 100	120 - 200	75 - 170

Ø 0.30 - 0.50		Ø 0.50 - 0.80		Ø 0.80 - 1.60		Ø 1.60 - 3.00		Ø 3.00 - 5.00	
fz	α	fz	α	fz	α	fz	α	fz	α
0.0010 - 0.0020	30°	0.0016 - 0.0032	30°	0.0026 - 0.0040	30°	0.0043 - 0.0100	30°	0.0090 - 0.0120	30°
0.0010 - 0.0020	35°	0.0016 - 0.0032	35°	0.0028 - 0.0042	35°	0.0045 - 0.0084	35°	0.0075 - 0.0115	35°
0.0006 - 0.0010	35°	0.0016 - 0.0034	35°	0.0028 - 0.0042	35°	0.0047 - 0.0090	35°	0.0084 - 0.0125	35°
0.0004 - 0.0006	30°	0.0010 - 0.0030	30°	0.0024 - 0.0036	30°	0.0037 - 0.0075	30°	0.0070 - 0.0110	30°
0.0004 - 0.0006	30°	0.0006 - 0.0025	30°	0.0020 - 0.0030	30°	0.0028 - 0.0070	30°	0.0065 - 0.0110	30°
0.0002 - 0.0006	15°	0.0006 - 0.0022	15°	0.0020 - 0.0028	15°	0.0025 - 0.0055	15°	0.0045 - 0.0075	15°
0.0006 - 0.0010	30°	0.0008 - 0.0036	30°	0.0028 - 0.0042	30°	0.0047 - 0.0126	30°	0.0105 - 0.0165	30°
0.0006 - 0.0010	30°	0.0008 - 0.0034	30°	0.0028 - 0.0042	30°	0.0045 - 0.0120	30°	0.0090 - 0.0150	30°
0.0006 - 0.0010	30°	0.0008 - 0.0034	30°	0.0028 - 0.0042	30°	0.0045 - 0.0120	30°	0.0090 - 0.0150	30°
0.0002 - 0.0006	8°	0.0004 - 0.0026	8°	0.0020 - 0.0030	8°	0.0032 - 0.0065	8°	0.0050 - 0.0090	8°
0.0008 - 0.0010	15°	0.0010 - 0.0036	15°	0.0024 - 0.0044	15°	0.0032 - 0.0075	15°	0.0070 - 0.0120	15°
0.0010 - 0.0022	35°	0.0018 - 0.0036	35°	0.0030 - 0.0044	35°	0.0050 - 0.0126	35°	0.0105 - 0.0165	35°
0.0006 - 0.0014	35°	0.0012 - 0.0034	35°	0.0028 - 0.0038	35°	0.0045 - 0.0120	35°	0.0090 - 0.0145	35°
0.0006 - 0.0014	35°	0.0012 - 0.0034	35°	0.0028 - 0.0038	35°	0.0045 - 0.0120	35°	0.0090 - 0.0145	35°



$$n \text{ [tr/min]} = \frac{Vc \text{ [m/min]} \times 1000}{\pi \times D_1 \text{ [mm]}}$$

$$Vf \text{ [mm/min]} = n \text{ [tr/min]} \times fz \text{ [mm]} \times Z$$

Zu bearbeitender Werkstoff		Ø 0.30 - 0.80		Ø 0.80 - 1.60		Ø 1.60 - 5.00	
		VHM	C-TOP	VHM	C-TOP	VHM	C-TOP
		Vc [m/min]	Vc [m/min]	Vc [m/min]	Vc [m/min]	Vc [m/min]	Vc [m/min]
P	Niedrig leg. / unleg. Stahl	< 600 N/mm ²	25 - 45	40 - 130	120 - 280		
P	Niedrig leg. / unleg. Stahl	600 – 1500 N/mm ²	25 - 45	40 - 120	90 - 230		
P	Bleilegiertes Automatenstahl		30 - 50	45 - 130	110 - 280		
P	Hochlegierter Stahl	700 – 1500 N/mm ²	20 - 45	40 - 110	90 - 190		
M	Rostfreier Stahl	400 – 700 N/mm ²	25 - 50	45 - 120	100 - 230		
M	DUPLEX rostfreier Stahl	> 800 N/mm ²	15 - 35	30 - 90	75 - 180		
K	Grauguss / Sphäroguss perlitisch	< 250 HB	25 - 45	30 - 90	45 - 125	80 - 180	70 - 165
K	Leg. Grauguss / Sphäroguss perlitisch	> 250 HB	20 - 40	30 - 80	40 - 100	70 - 150	60 - 140
K	Sphäroguss ferritisch / Temperguss		20 - 35	30 - 70	35 - 90	60 - 125	55 - 120
S	Sonderlegierungen / Warmfester rostfreier Stahl	Inconel Nimonic Hastelloy	20 - 30	30 - 80	60 - 140		
S	Titan, Titanlegierung		20 - 40	30 - 45	30 - 80	40 - 130	50 - 130
N	Kupfer-Legierung / gut zerspanbar (Messing – Bronze)		40 - 50	45 - 120	50 - 100	120 - 200	80 - 165
N	Kupfer-Legierung / schwer zerspanbar / Aluminium-Bronze	(CuAlFe) (Ampco)	30 - 40	45 - 90	40 - 95	90 - 180	60 - 140
N	Gold, Silber		35 - 45	45 - 120	50 - 100	120 - 200	75 - 170

Ø 0.30 - 0.50		Ø 0.50 - 0.80		Ø 0.80 - 1.60		Ø 1.60 - 3.00		Ø 3.00 - 5.00	
fz	ap	fz	ap	fz	ap	fz	ap	fz	ap
0.0018 - 0.0038	0.50 x Ø	0.0036 - 0.006	1.00 x Ø	0.006 - 0.010	2.00 x Ø	0.0076 - 0.029	2.00 x Ø	0.019 - 0.038	2.00 x Ø
0.00018 - 0.0027	0.50 x Ø	0.0027 - 0.006	1.00 x Ø	0.005 - 0.010	2.00 x Ø	0.0076 - 0.027	2.00 x Ø	0.017 - 0.037	2.00 x Ø
0.0027 - 0.0045	0.50 x Ø	0.0036 - 0.007	1.00 x Ø	0.006 - 0.011	2.00 x Ø	0.0086 - 0.029	2.00 x Ø	0.019 - 0.041	2.00 x Ø
0.0018 - 0.0027	0.50 x Ø	0.0027 - 0.005	1.00 x Ø	0.004 - 0.009	2.00 x Ø	0.0067 - 0.024	2.00 x Ø	0.016 - 0.035	2.00 x Ø
0.0018 - 0.0027	0.50 x Ø	0.0027 - 0.005	1.00 x Ø	0.004 - 0.009	2.00 x Ø	0.0067 - 0.024	2.00 x Ø	0.016 - 0.035	2.00 x Ø
0.0009 - 0.0018	0.25 x Ø	0.0027 - 0.004	0.50 x Ø	0.003 - 0.006	1.00 x Ø	0.0038 - 0.017	1.00 x Ø	0.010 - 0.027	1.00 x Ø
0.0027 - 0.0045	0.50 x Ø	0.0036 - 0.008	1.00 x Ø	0.007 - 0.012	2.00 x Ø	0.009 - 0.032	2.00 x Ø	0.021 - 0.053	2.00 x Ø
0.0027 - 0.0045	0.50 x Ø	0.0036 - 0.007	1.00 x Ø	0.006 - 0.011	2.00 x Ø	0.008 - 0.029	2.00 x Ø	0.020 - 0.047	2.00 x Ø
0.0027 - 0.0045	0.50 x Ø	0.0036 - 0.007	1.00 x Ø	0.006 - 0.011	2.00 x Ø	0.008 - 0.029	2.00 x Ø	0.020 - 0.047	2.00 x Ø
0.0009 - 0.0018	0.25 x Ø	0.0013 - 0.003	0.25 x Ø	0.002 - 0.004	0.50 x Ø	0.003 - 0.010	1.00 x Ø	0.006 - 0.016	1.00 x Ø
0.0036 - 0.0045	0.50 x Ø	0.0045 - 0.008	1.00 x Ø	0.006 - 0.014	2.00 x Ø	0.012 - 0.029	2.00 x Ø	0.018 - 0.038	2.00 x Ø
0.0045 - 0.0099	0.50 x Ø	0.0081 - 0.017	1.00 x Ø	0.011 - 0.029	2.00 x Ø	0.019 - 0.061	2.00 x Ø	0.029 - 0.071	2.00 x Ø
0.0027 - 0.0063	0.50 x Ø	0.0054 - 0.010	1.00 x Ø	0.008 - 0.018	2.00 x Ø	0.012 - 0.038	2.00 x Ø	0.018 - 0.045	2.00 x Ø
0.0027 - 0.0063	0.50 x Ø	0.0054 - 0.010	1.00 x Ø	0.008 - 0.018	2.00 x Ø	0.012 - 0.038	2.00 x Ø	0.018 - 0.045	2.00 x Ø