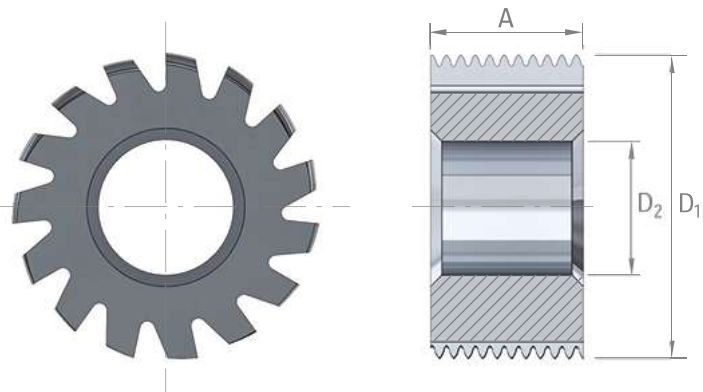


DIXI 1674 TOOLS ON REQUEST

MODULE CUTTERS
TOOTH PER TOOTH CUTTING



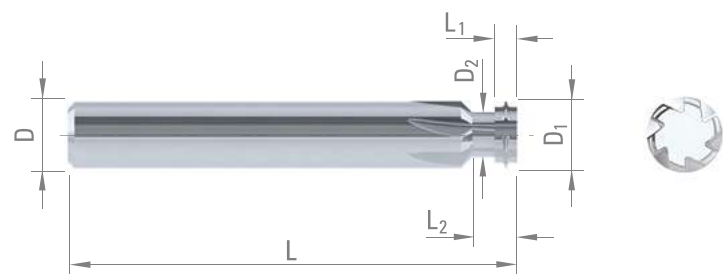
Steel +Pb	Low alloyed steel	High alloyed steel	DUPLEX stainless steel	Titanium, titanium alloy
Cu alloy Silver Gold	Cu alloy difficult to machine	Alu		

Module (m) = 0.03 - 0.5



D ₁	A	D _{2 H3}	Z	CARBIDE
6	4	3.5	12	<input type="checkbox"/>
8	5	3.5	12	<input type="checkbox"/>
10	4	3.5	12	<input type="checkbox"/>
10	5	3.5	12	<input type="checkbox"/>
12	6	3.5	12	<input type="checkbox"/>
16	8	8.0	12	<input type="checkbox"/>
18	8	8.0	12	<input type="checkbox"/>
24	8	8.0	12	<input type="checkbox"/>
24	10	8.0	12	<input type="checkbox"/>

DIXI 1673 TOOLS ON REQUEST

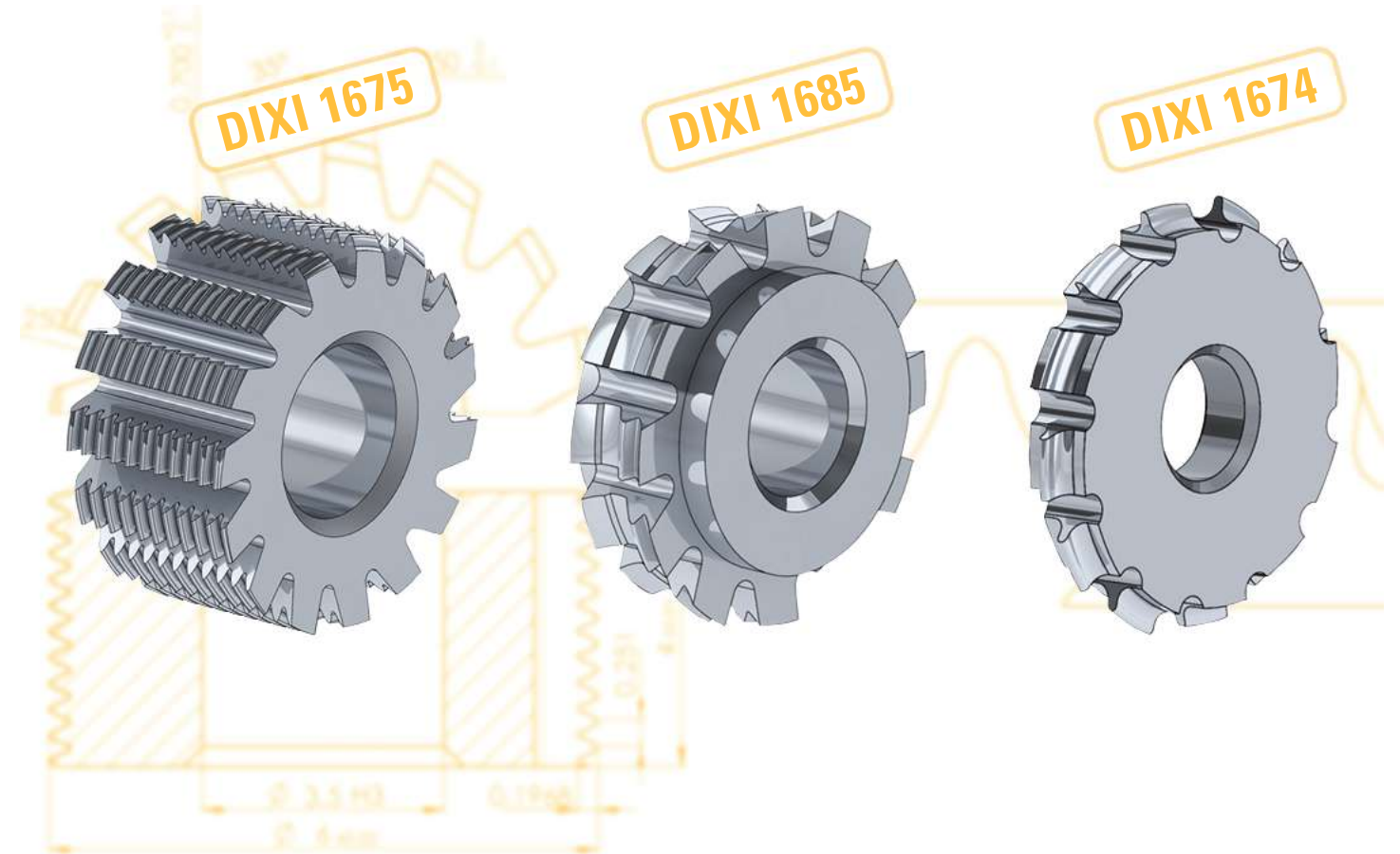


D ₁ -0.05/-0.10	L ₁	D ₂	L ₂	D _{h5}	L	Z	CARBIDE
5.0	2.0	4.0	4.15	5	42	6	<input type="checkbox"/>
6.0	2.0	4.0	4.15	6	42	6	<input type="checkbox"/>



HOB CUTTERS

- From module m = 0.04 up to 0.5
- Gear hobbing
- Watch industry profiles according to current standards (NIHS, EVJ...)



DIXI POLYTOOL S.A.
Av. du Technicum 37
CH-2400 Le Locle

Tel. +41 (0)32 933 54 44
Fax +41 (0)32 931 89 16

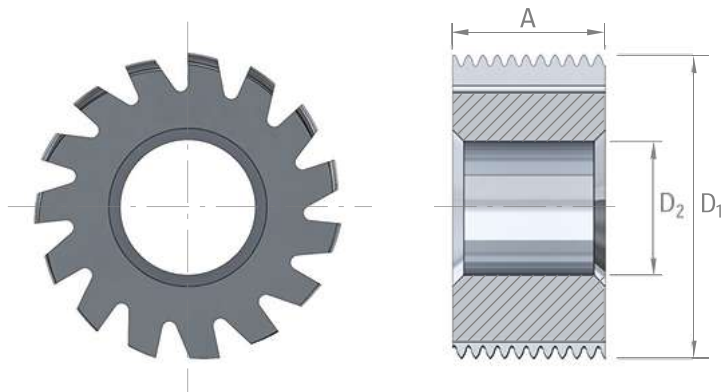
dixipoly@dixi.ch
www.dixipolytool.com

Enjoy Swiss Precision

www.dixipolytool.com

DIXI 1675 - 1680 TOOLS ON REQUEST

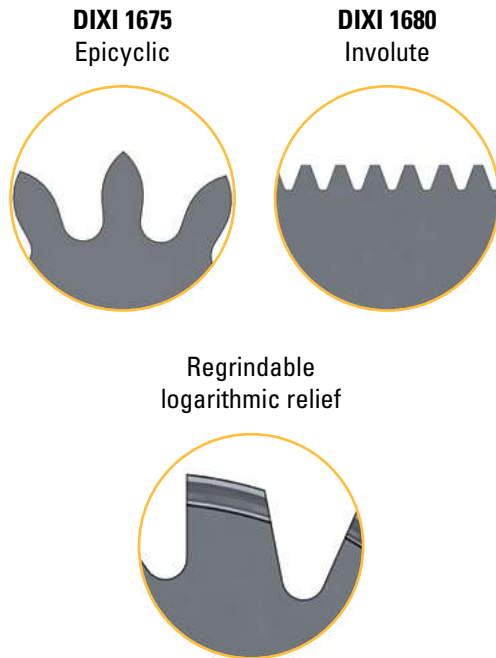
**HOB CUTTERS
EPICYCLIC AND INVOLUTE PROFILE**



- Steel +Pb
- Low alloyed steel
- High alloyed steel
- DUPLEX stainless steel
- Titanium, titanium alloy
- Cu alloy Silver Gold
- Cu alloy difficult to machine
- Alu

D ₁	A	D _{2 H3}	Z	CARBIDE
6	4	3.5	12	<input type="checkbox"/>
	5	3.5	12	<input type="checkbox"/>
8	4	3.5	15	<input type="checkbox"/>
	5	3.5	12	<input type="checkbox"/>
10	4	3.5	15	<input type="checkbox"/>
	5	3.5	12	<input type="checkbox"/>
12	6	3.5	15	<input type="checkbox"/>
	6	4.5	12	<input type="checkbox"/>
	8	4.5	15	<input type="checkbox"/>
16	6	8.0	12	<input type="checkbox"/>
	6	8.0	15	<input type="checkbox"/>
	8	8.0	12	<input type="checkbox"/>
18	8	8.0	15	<input type="checkbox"/>
	8	8.0	12	<input type="checkbox"/>
	8	8.0	15	<input type="checkbox"/>
24	8	8.0	12	<input type="checkbox"/>
	10	8.0	12	<input type="checkbox"/>
	10	8.0	15	<input type="checkbox"/>

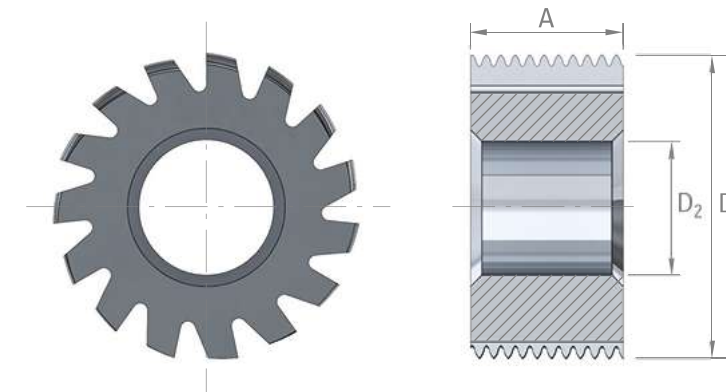
Module (m) = 0.04 - 0.5



Coatings on request

DIXI 1685 TOOLS ON REQUEST

**HOB CUTTERS
FOR INDEX**



- Steel +Pb
- Low alloyed steel
- High alloyed steel
- DUPLEX stainless steel
- Titanium, titanium alloy
- Cu alloy Silver Gold
- Cu alloy difficult to machine
- Alu

D ₁	A	D _{2 H3}	Z	CARBIDE
6	4	3.5	12	<input type="checkbox"/>
6	5	3.5	12	<input type="checkbox"/>
8	5	3.5	12	<input type="checkbox"/>
10	5	3.5	12	<input type="checkbox"/>
12	6	4.5	12	<input type="checkbox"/>
16	6	8.0	12	<input type="checkbox"/>
16	8	8.0	12	<input type="checkbox"/>
18	8	8.0	12	<input type="checkbox"/>
24	8	8.0	12	<input type="checkbox"/>
24	10	8.0	12	<input type="checkbox"/>

