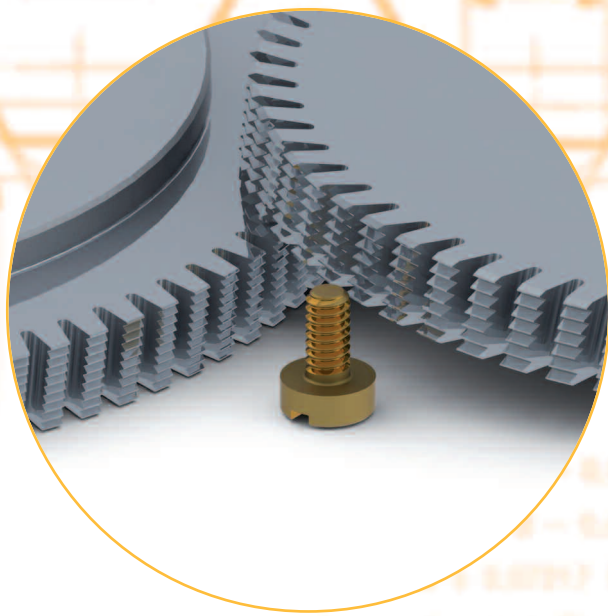
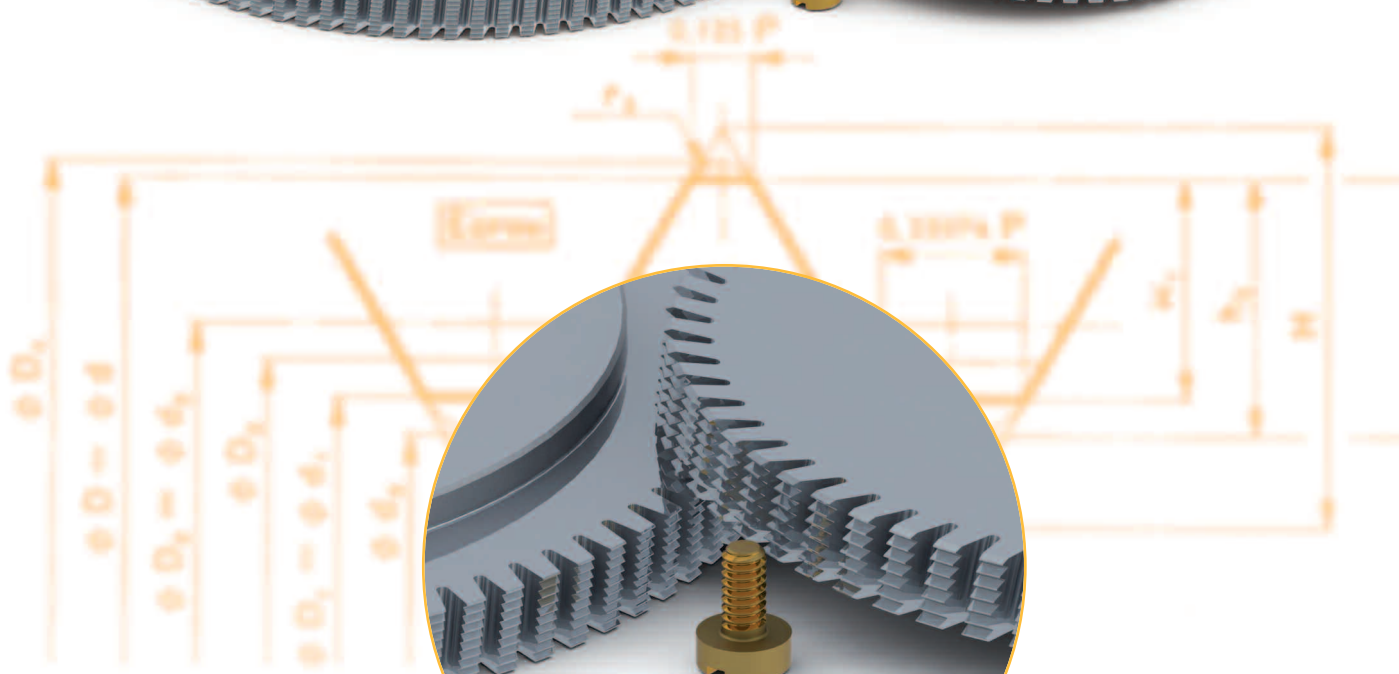
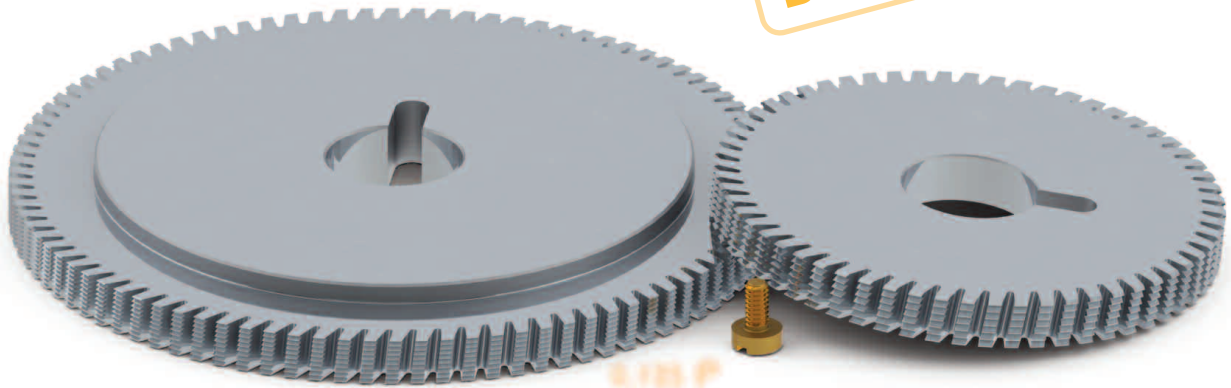


# FRESA A POLIGONARE

## PER FILETTATURA ESTERNA NIHS

**DIXI 1660**



$H = 0,2462 P$   
 $H_1 = 0,16 P$   
 $H_2 = 0,26 P$

$0,246 P$   
 $0,16 P$   
 $0,26 P$   
 $0,16 P$

**DIXI POLYTOOL S.A.**  
 Av. du Technicum 37  
 CH-2400 Le Locle

Tel. +41 (0)32 933 54 44  
 Fax +41 (0)32 931 89 16

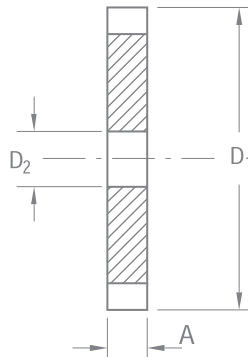
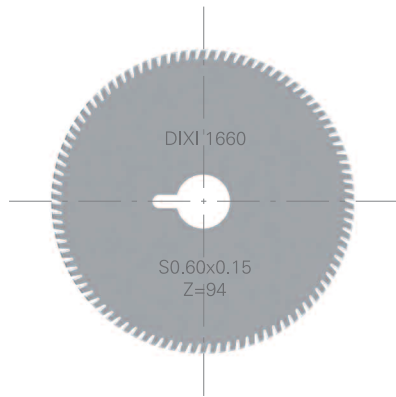
[dixipoly@dixi.com](mailto:dixipoly@dixi.com)

# DIXI 1660

FRESA A POLIGONARE  
PER FILETTATURA ESTERNA NIHS

Z = 94

NIHS  
06



Acciaio + Pb  
Lega Cu Argento Oro

Ø nominale	Passo	$D_{1 \pm 0.03}$	$D_{2 H5}$	$D_3$	Z	A	$L_1$	Ref.	MD NUDO
S0.40	0.100	45	8	35	94	3	1.00	B	301926
							1.00	C	301927
S0.50	0.125	45	8	35	94	3	1.10	B	301928
							1.10	C	301929
S0.60	0.150	45	8	35	94	3	1.35	B	301930
							1.35	C	301305
							3.00	A	301931
S0.70	0.175	45	8	35	94	3	1.60	B	301932
							1.60	C	301943
							3.00	A	301945
S0.80	0.200	45	8	35	94	3	1.80	B	301946
							1.80	C	301947
							3.00	A	301948
S0.90	0.225	45	8	35	94	3	2.00	B	301949
							2.00	C	301950
S1.00	0.250	45	8	35	94	3	3.00	A	301951
							3.00	A	301952
S1.40	0.300	45	8	35	94	3	3.00	A	301953

Ref. A

Ref. B

Ref. C

