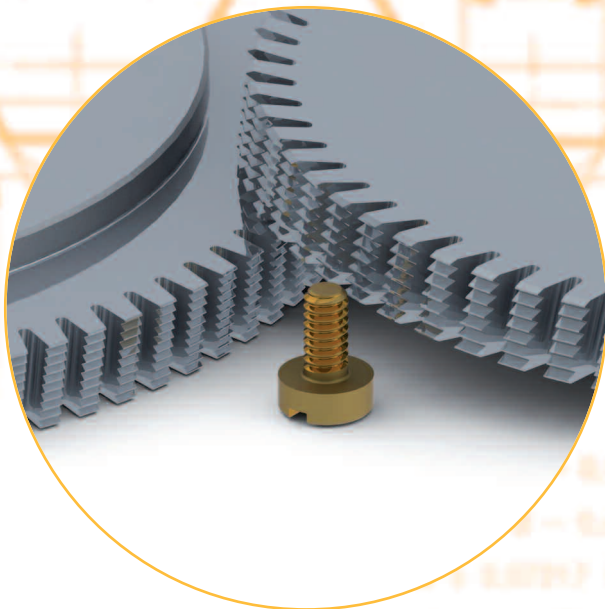
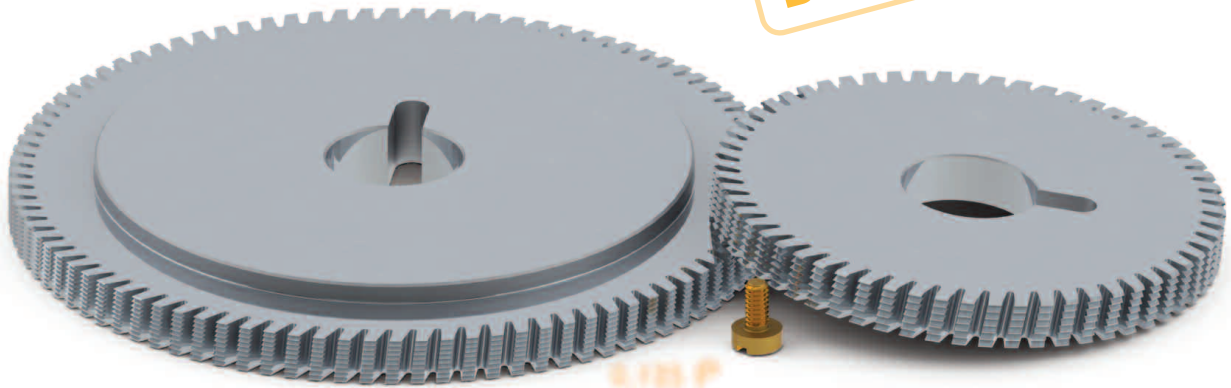


HOB CUTTERS FOR NIHS SCREW

DIXI 1660



DIXI POLYTOOL S.A.
Av. du Technicum 37
CH-2400 Le Locle

Tel. +41 (0)32 933 54 44
Fax +41 (0)32 931 89 16

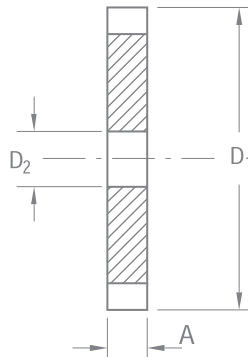
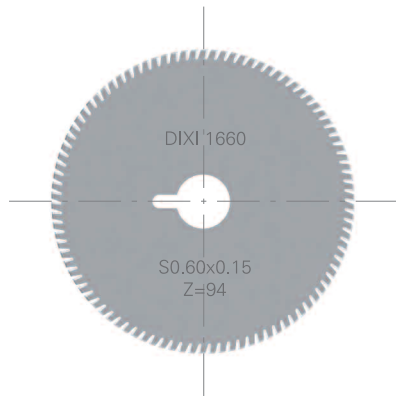
dixipoly@dixi.com

DIXI 1660

HOB CUTTERS FOR NIHS SCREW

Z = 94

NIHS
06



Steel + Pb Cu alloy
Silver
Gold

Ø nom.	Pitch	D ₁ ±0.03	D ₂ H5	D ₃	Z	A	L ₁	Ref.	CARBIDE
S0.40	0.100	45	8	35	94	3	1.00	B	301926
							1.00	C	301927
S0.50	0.125	45	8	35	94	3	1.10	B	301928
							1.10	C	301929
S0.60	0.150	45	8	35	94	3	1.35	B	301930
							1.35	C	301305
							3.00	A	301931
S0.70	0.175	45	8	35	94	3	1.60	B	301932
							1.60	C	301943
							3.00	A	301945
S0.80	0.200	45	8	35	94	3	1.80	B	301946
							1.80	C	301947
							3.00	A	301948
S0.90	0.225	45	8	35	94	3	2.00	B	301949
							2.00	C	301950
S1.00	0.250	45	8	35	94	3	3.00	A	301951
							3.00	A	301952
S1.40	0.300	45	8	35	94	3	3.00	A	301953

Ref. A

Ref. B

Ref. C

