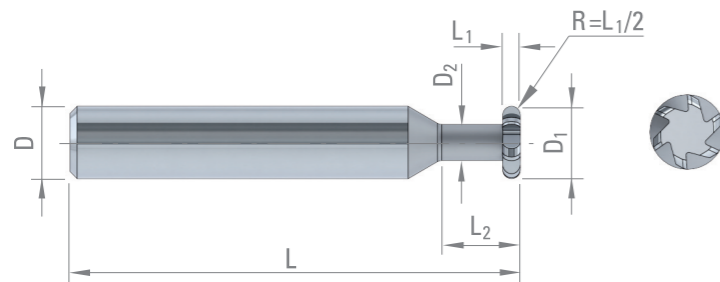


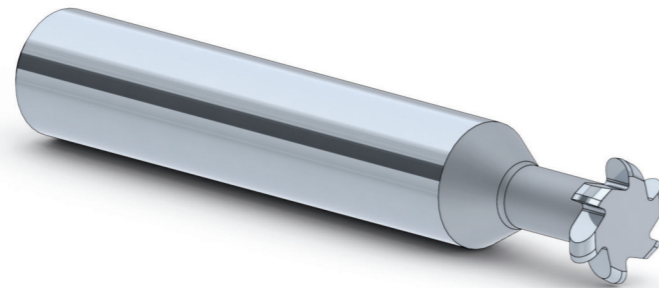
DIXI 1527

T-NUTENFRÄSER
HALBRUND, KONVEX

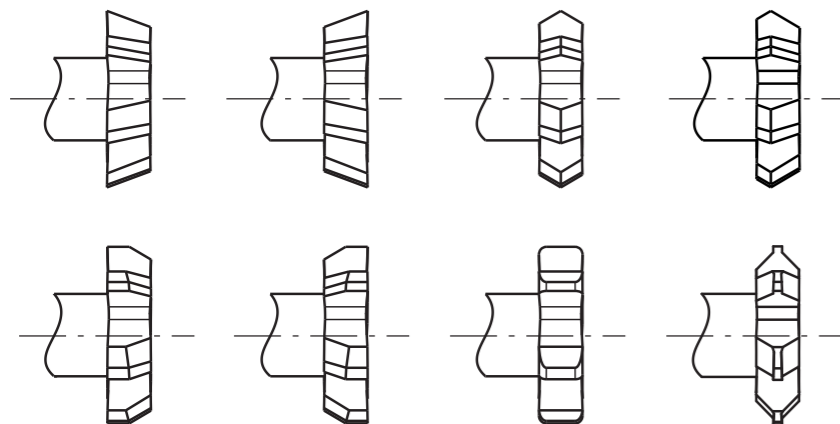


- | | | | | |
|------------|--------------------|------------------------|-----------------------|-------------------------|
| Stahl + Pb | Niedrig leg. Stahl | Aust. Rostfreier Stahl | Titan, Titanlegierung | Kupfer Leg. Silber Gold |
| Alu | Kunststoff | | | |

D ₁	L ₁	D ₂	L ₂	D _{h6}	L	Z	VHM	CUTINOX
Ø < 4.0 ±0.03 Ø ≥ 4.0 -0.05/-0.10		0/-0.20	±0.2					
4.0	0.4 - 1.5	1.5	6.0	4	42	4	<input type="checkbox"/>	<input checked="" type="checkbox"/>
6.0	0.5 - 2.0	3.5	7.0	6	42	6	<input type="checkbox"/>	<input checked="" type="checkbox"/>
8.0	1.0 - 3.0	4.0	9.0	8	50	6	<input type="checkbox"/>	<input checked="" type="checkbox"/>
10.0	1.0 - 4.0	5.0	9.0	10	50	8	<input type="checkbox"/>	<input checked="" type="checkbox"/>
12.0	0.5 - 3.5	5.0	11.5	6	50	10	<input type="checkbox"/>	<input checked="" type="checkbox"/>
12.0	1.0 - 5.0	6.0	14.0	10	50	10	<input type="checkbox"/>	<input checked="" type="checkbox"/>
16.0	1.0 - 6.0	8.0	14.0	10	60	12	<input type="checkbox"/>	<input checked="" type="checkbox"/>



ANDERE MÖGLICHKEITEN FÜR VERZÄHNUNGEN UND FORMEN



DIXI POLYTOOL S.A.
Av. du Technicum 37
CH-2400 Le Locle
Tel. +41 (0)32 933 54 44
Fax +41 (0)32 931 89 16
dixipoly@dixi.ch

T-NUTEN FRÄSER



- Kurze Lieferzeiten
- Rohlinge ab Lager
- Mehr Möglichkeiten für Verzahnungen und Formen

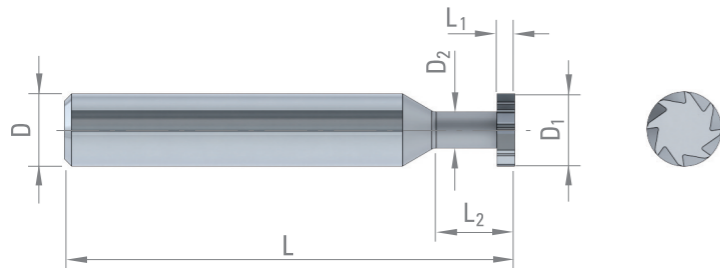
Werkzeuge
auf Anfrage
Ø 2 - 30 mm



DIXI POLYTOOL S.A.
Av. du Technicum 37
CH-2400 Le Locle
Tel. +41 (0)32 933 54 44
Fax +41 (0)32 931 89 16
dixipoly@dixi.com

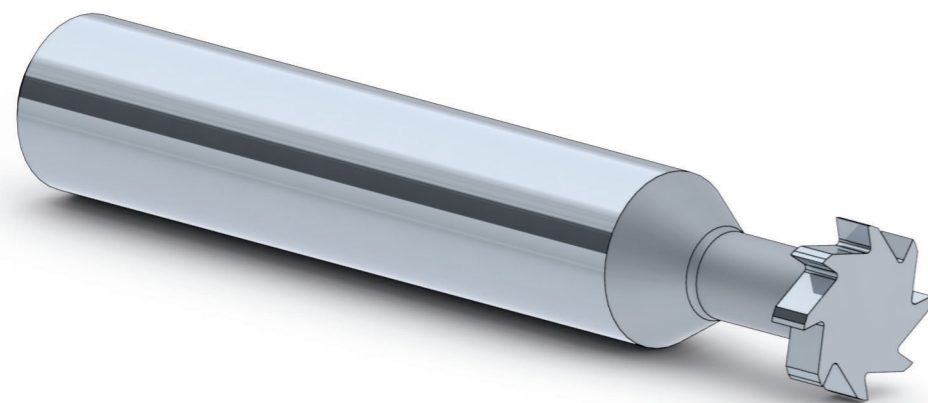
DIXI 1525

T-NUTENFRÄSER
GERADVERZAHNT



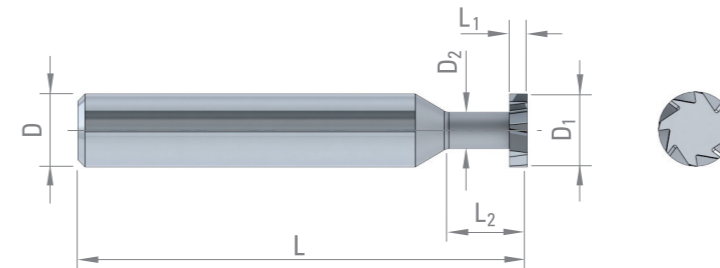
Stahl + Pb	Niedrig leg. Stahl	Aust. Rostfreier Stahl	Titan, Titan-legierung	Kupfer Leg. Silber Gold
Alu	Kunststoff			

D ₁	L ₁	D ₂	L ₂	D _{h6}	L	Z	VHM	CUTINOX
Ø < 4.0 ±0.01 Ø ≥ 4.0 -0.05/-0.10		0/-0.20	±0.2					
2.0	0.2 - 1.0	1.0	3.0	4	42	3 - 6	<input type="checkbox"/>	<input checked="" type="checkbox"/>
3.0	0.2 - 1.5	1.5	3.5	4	42	3 - 6	<input type="checkbox"/>	<input checked="" type="checkbox"/>
4.0	0.2 - 1.5	2.5	6.0	4	42	3 - 6	<input type="checkbox"/>	<input checked="" type="checkbox"/>
5.0	0.5 - 1.5	3.0	6.0	5	42	3 - 6	<input type="checkbox"/>	<input checked="" type="checkbox"/>
6.0	0.5 - 2.5	3.5	7.0	6	42	4 - 8	<input type="checkbox"/>	<input checked="" type="checkbox"/>
8.0	0.5 - 3.0	4.0	9.0	8	50	5 - 10	<input type="checkbox"/>	<input checked="" type="checkbox"/>
10.0	0.5 - 4.0	5.0	9.0	10	50	5 - 12	<input type="checkbox"/>	<input checked="" type="checkbox"/>
12.0	0.5 - 3.5	5.0	11.5	6	50	6 - 16	<input type="checkbox"/>	<input checked="" type="checkbox"/>
12.0	0.5 - 4.0	6.0	14.0	10	50	6 - 16	<input type="checkbox"/>	<input checked="" type="checkbox"/>
15.0	0.5 - 5.0	8.0	14.0	10	60	8 - 18	<input type="checkbox"/>	<input checked="" type="checkbox"/>
16.0	0.5 - 2.9	8.0	14.0	10	60	8 - 20	<input type="checkbox"/>	<input checked="" type="checkbox"/>
16.0	3.0 - 6.0	8.0	14.0	10	60	8 - 20	<input type="checkbox"/>	<input checked="" type="checkbox"/>
18.0	0.5 - 2.9	8.0	14.0	10	60	10 - 24	<input type="checkbox"/>	<input checked="" type="checkbox"/>
18.0	3.0 - 6.0	8.0	14.0	10	60	10 - 24	<input type="checkbox"/>	<input checked="" type="checkbox"/>
20.0	0.5 - 2.9	8.0	11.0	10	60	10 - 24	<input type="checkbox"/>	<input checked="" type="checkbox"/>
20.0	3.0 - 6.0	8.0	14.0	10	60	10 - 24	<input type="checkbox"/>	<input checked="" type="checkbox"/>
25.0	0.5 - 3.9	8.0	13.0	10	60	10 - 32	<input type="checkbox"/>	<input checked="" type="checkbox"/>
25.0	4.0 - 8.0	8.0	18.0	10	60	10 - 32	<input type="checkbox"/>	<input checked="" type="checkbox"/>
30.0	0.5 - 3.9	8.0	13.0	10	60	10 - 36	<input type="checkbox"/>	<input checked="" type="checkbox"/>
30.0	4.0 - 8.0	8.0	18.0	10	60	10 - 36	<input type="checkbox"/>	<input checked="" type="checkbox"/>



DIXI 1528

T-NUTENFRÄSER
KREUZVERZAHNT



Stahl + Pb	Niedrig leg. Stahl	Aust. Rostfreier Stahl	Titan, Titan-legierung	Kupfer Leg. Silber Gold
Alu	Kunststoff			

D ₁	L ₁	D ₂	L ₂	D _{h6}	L	Z	VHM	CUTINOX
Ø < 4.0 ±0.01 Ø ≥ 4.0 -0.05/-0.10		0/-0.20	±0.2					
4.0	0.5 - 3.0	2.5	6.0	4	42	4 - 6	<input type="checkbox"/>	<input checked="" type="checkbox"/>
5.0	0.5 - 3.0	3.0	6.0	5	42	4 - 6	<input type="checkbox"/>	<input checked="" type="checkbox"/>
6.0	0.5 - 3.0	3.5	7.0	6	42	4 - 6	<input type="checkbox"/>	<input checked="" type="checkbox"/>
8.0	1.0 - 4.0	4.0	9.0	8	50	4 - 8	<input type="checkbox"/>	<input checked="" type="checkbox"/>
10.0	1.0 - 4.0	5.0	9.0	10	50	6 - 10	<input type="checkbox"/>	<input checked="" type="checkbox"/>
12.0	0.5 - 3.5	5.0	11.5	6	50	6 - 10	<input type="checkbox"/>	<input checked="" type="checkbox"/>
12.0	1.0 - 5.0	6.0	14.0	10	50	6 - 10	<input type="checkbox"/>	<input checked="" type="checkbox"/>
15.0	1.5 - 6.0	8.0	14.0	10	60	8 - 14	<input type="checkbox"/>	<input checked="" type="checkbox"/>
16.0	1.5 - 3.9	8.0	14.0	10	60	8 - 14	<input type="checkbox"/>	<input checked="" type="checkbox"/>
16.0	4.0 - 6.0	8.0	14.0	10	60	8 - 14	<input type="checkbox"/>	<input checked="" type="checkbox"/>
18.0	1.5 - 3.9	8.0	14.0	10	60	10 - 16	<input type="checkbox"/>	<input checked="" type="checkbox"/>
18.0	4.0 - 6.0	8.0	14.0	10	60	10 - 16	<input type="checkbox"/>	<input checked="" type="checkbox"/>
20.0	1.5 - 3.9	8.0	11.0	10	60	10 - 18	<input type="checkbox"/>	<input checked="" type="checkbox"/>
20.0	4.0 - 6.0	8.0	14.0	10	60	10 - 18	<input type="checkbox"/>	<input checked="" type="checkbox"/>
25.0	1.5 - 4.9	8.0	13.0	10	60	10 - 24	<input type="checkbox"/>	<input checked="" type="checkbox"/>
25.0	5.0 - 10.0	8.0	18.0	10	60	14 - 24	<input type="checkbox"/>	<input checked="" type="checkbox"/>
30.0	1.5 - 4.9	8.0	13.0	10	60	18 - 28	<input type="checkbox"/>	<input checked="" type="checkbox"/>
30.0	5.0 - 10.0	8.0	18.0	10	60	18 - 28	<input type="checkbox"/>	<input checked="" type="checkbox"/>

