

CHAMFERING TOOLS INNER CORNER

- Extra fine point allowing machining of entering corners
- "Mirror finish" of the tool
- Engraving is possible



DIXI 7625



DIXI POLYTOOL S.A.
Av. du Technicum 37
CH-2400 Le Locle

T +41 (0)32 933 54 44
F +41 (0)32 931 89 16

dixipoly@dixi.ch

swiss
made 
since
1946

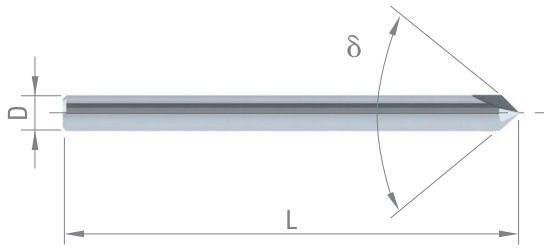


Enjoy Swiss Precision

www.dixipolytool.com

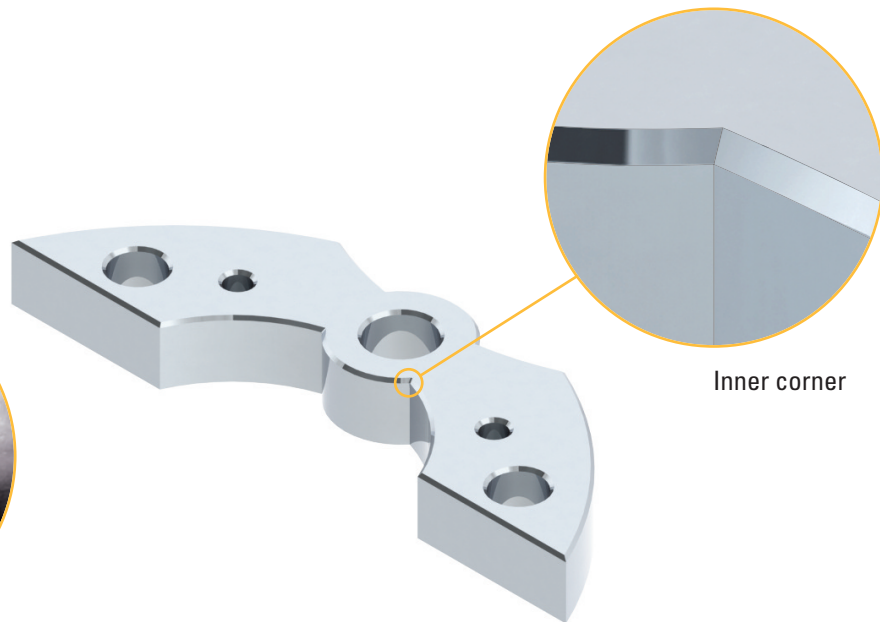
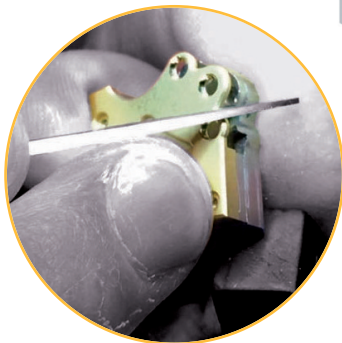
CHAMFERING TOOLS
INNER CORNER

Z = 3



| | | | | |
|----------------------------|-------------------------------|--------------------|------------------------|--------------------------|
| Steel + Pb | Low alloyed steel | High alloyed steel | DUPLEX stainless steel | Titanium, titanium alloy |
| Cu alloy Silver Gold | Cu alloy difficult to machine | Alu | Plastic | |

| D_{h5} | δ | L | CARBIDE |
|----------|----------|----|---------|
| 3 | 60° | 38 | 310782 |
| 3 | 90° | 38 | 306130 |
| 3 | 120° | 38 | 312243 |



Chamfering is a sensitive manual operation which magnifies the beauty of a watch movement.

With **DIXI 7625 chamfering tool** save time for this important machining operation.